

# Masport<sup>®</sup> Heating

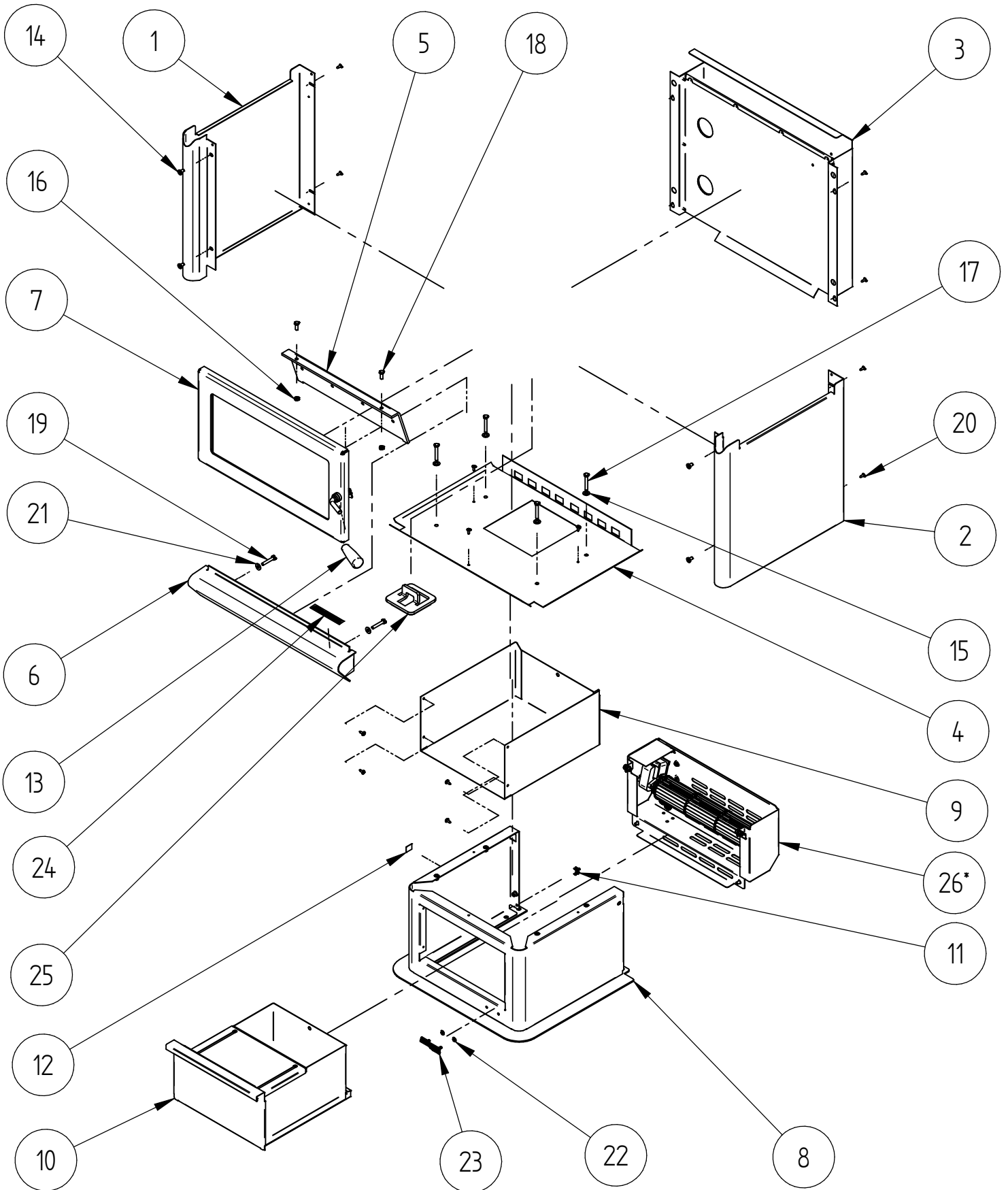
## FREESTANDING WOOD FIRES

### R1600 - AUSTRALIA

Item No.	MARKET	FUEL TYPE	FINISH	YEAR	FAN
993930	AU	HARDWOOD	Matt Black VHT Paint	DEC-2013	Option



## PANELS, DOOR AND PEDESTAL

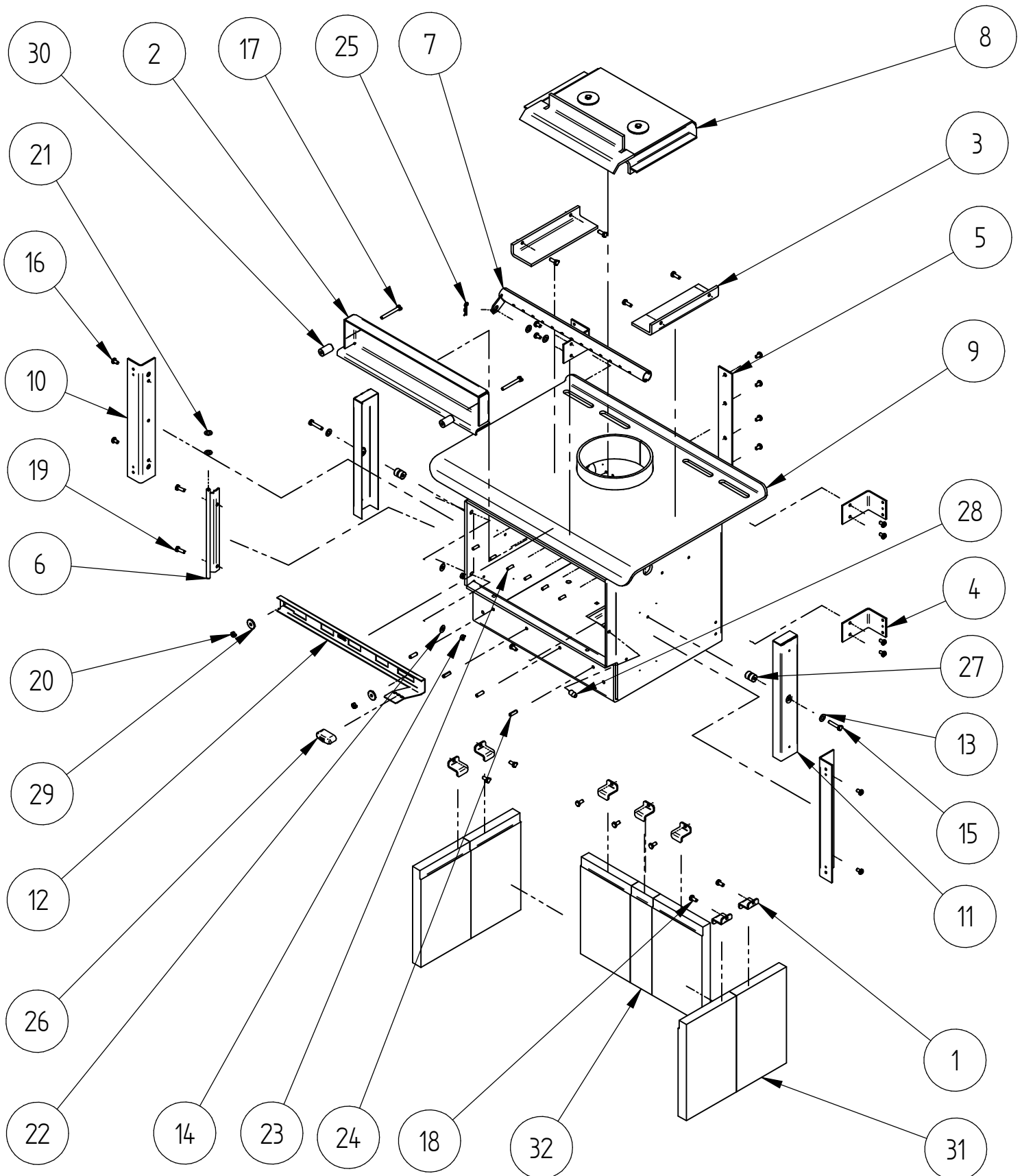


When ordering PLEASE QUOTE PART ID along with Finish Suffix (if applicable)

PANELS, DOOR AND PEDESTAL				
Item	Part ID	Model(s)	Description	Qty
		993930		
1	993756	V02	R1500 SIDE PANEL L/H	1
2	993755	V02	R1500 R/H SIDE PANEL	1
3	993787	V02	R1500 AUS AIR DUCT ASSY	1
4	993799	-	R1600 BASE HEAT SHIELD	1
5	993776	-	R1500 F/B BASE AIR DEFLECTOR	1
6	993768	V02	R1500 ASHLIP ASSEMBLY	1
7	993790	V02	R1500 FINISHED DOOR ASSEMBLY	1
8	993795	V02	R1600 PEDESTAL SUB ASSY	1
9	983253	-	R5000 PED ASH DRAWER SUPPORT	1
10	983248	V02	R5000 ASH DRAWER ASSY	1
11	596603	-	EARTH TAB RIVET BN11	1
12	585631	-	DECAL EARTH	1
13	MIC00376	-	MIC DOOR HANDLE	1
14	521045	-	SCREW; M6X10 PAN POZI BLK	4
15	523019	-	WASHER; FLAT 5/16"X5/8"X16G ZP	4
16	522107	-	NUT; HEX STD M6 BLK	2
17	521077	-	SCREW; M6X40 HEX ZP	4
18	521052	-	SCREW; M6X16 HEX BLK	2
19	521060	-	SCREW; M6X35 HEX ZP	2
20	521645	-	SCREW; S/T 8GX1/2" MUSH FLANGE POZI BLK	15
21	523036	-	WASHER; FLAT 1/4"X5/8" BLK	2
22	526009	-	CLIP; STARLOCK M4	2
23	587835	-	BADGE MASPORT HEATING	1
24	595695	-	DECAL "BURN ONLY" COMBINED NZ/AUS	1
25	983019	V02	PLUG SHEET METAL	1
26*	993762	-	R1500 AUS FAN COMPLETE	1

\*Optional Sale Kit

# AIRSLIDE, BAFFLE, BRICKS AND FIREBOX

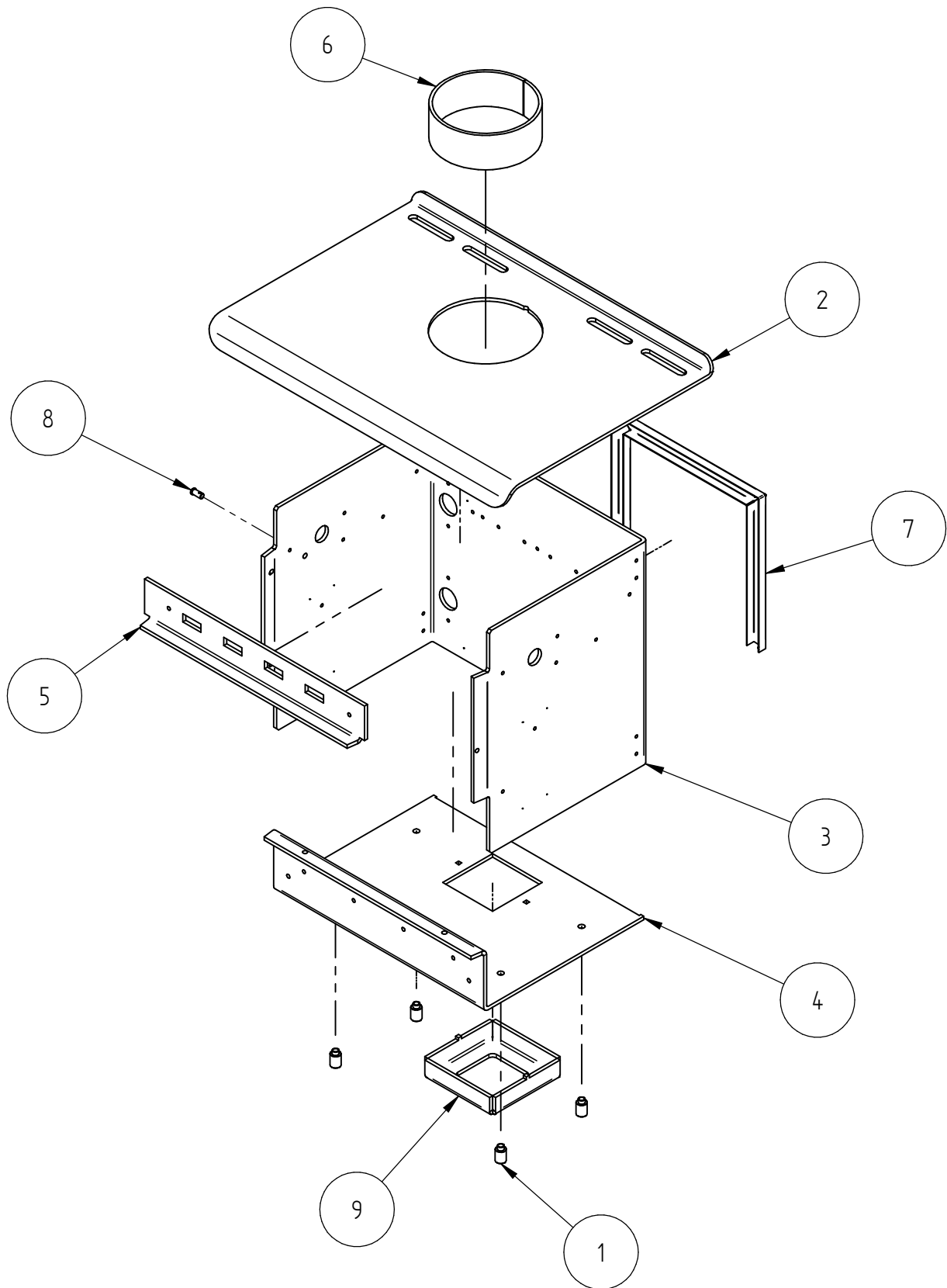


When ordering PLEASE QUOTE PART ID along with Finish Suffix (if applicable)

AIRSLIDE, BAFFLE, BRICKS AND FIREBOX				
Item	Part ID	Model(s)	Description	Qty
		993930		
1	HBA00118	-	HBA BRICK RETAINER	7
2	MIC00102	-	MIC AIR DEFLECTOR	1
3	MIC00116	-	MIC BAFFLE SUPPORTS	2
4	MIC00130	-	MIC REAR BODY MOUNT BRKT	4
5	MIC00135	-	MIC WET BACK COVER PLATE	1
6	MICAC190	-	MIC DOOR HINGE ASSEMBLY	1
7	993777	-	R1500 AIR BAR ASSEMBLY	1
8	993773	-	R1500 BAFFLE SUB ASSEMBLY	1
9	993780	-	R1600 HW FIREBOX COMPLETE AUS	1
10	MIR00183	-	MIR DOOR RIDDLE	2
11	MIC00123	-	MIC SEC AIR CHANNEL	2
12	993784	-	R1500 AIRSLIDE AUS	1
13	523019	-	WASHER; FLAT 5/16"X5/8"X16G ZP	4
14	522107	-	NUT; HEX STD M6 BLK	2
15	521059	-	SCREW; M6X30 HEX ZP	2
16	521046	-	SCREW; M6X10 PAN POZI ZP	16
17	521061	-	SCREW; M6X50 HEX ZP	2
18	521075	-	SCREW; M6X12 HEX ZP	8
19	521076	-	SCREW; M6X16 HEX ZP	6
20	522117	-	NUT; HEX STD M6 ZP	2
21	523018	-	WASHER; FLAT 5/16"X5/8" BLK	2
22	523036	-	WASHER; FLAT 1/4"X5/8" BLK	2
23	525002	-	PIN; TENSION 5X16 BLK	6
24	525006	-	PIN; TENSION 6X12 BLK	4
25	526101	-	CLIP; R-CLIP 1.8 DIA ST	1
26	593568	-	AIR SLIDE KNOB PUSH ON	1
27	HBA00129	-	HBA AIR DEFLECTOR SPACER	2
28	MIC00079	-	LOGAIRE CATCH PIN	1
29	MIC00083	-	LOGAIRE METRO AIR SLIDE SPACER	2
30	MIC00129	-	MIC AIR DEFLECTOR BUSH	2
31	MIC00354	-	MIC BRICK	6
32	MIC00355	-	MIC BRICK HALF	1

When ordering PLEASE QUOTE PART ID along with Finish Suffix (if applicable)

## FIREBOX DETAILS

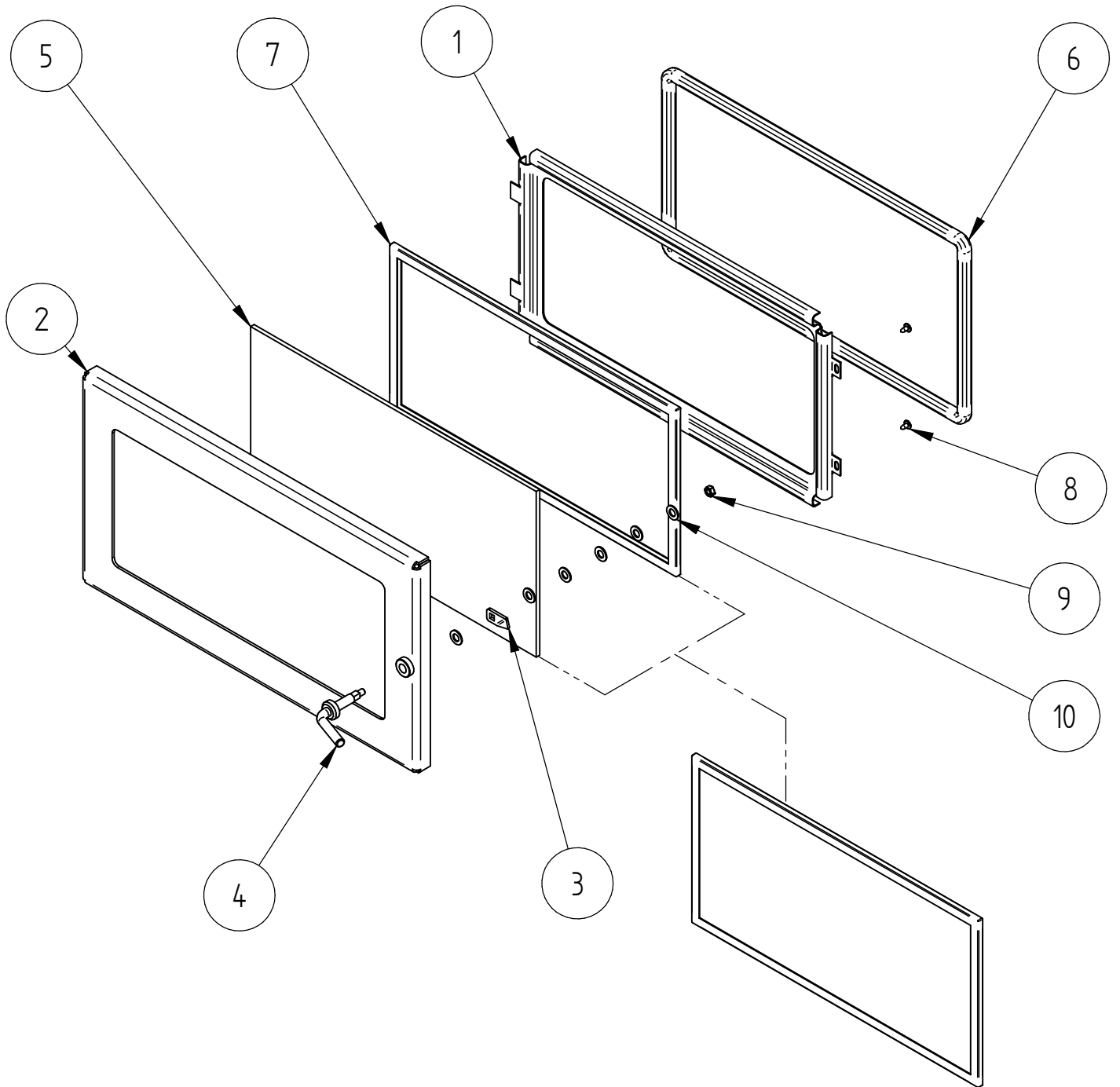


When ordering PLEASE QUOTE PART ID along with Finish Suffix (if applicable)

FIREBOX DETIALS				
Item	Part ID	Model(s)	Description	Qty
		993930		
1	MET00429	-	FIREBOX BUSH - SPIGOTED	4
2	993751	-	R1500 F/B COOK TOP	1
3	993753	-	R1500 F/B WRAP	1
4	993779	-	R1600 HW FIRE BOX BOTTOM AUS	1
5	993752	-	R1500 F/B TOP FRONT	1
6	MIC00120	-	MIC SPIGOT	1
7	MIR00219	-	MIR REAR HEAT CHANNEL	1
8	MIC00137	-	MIC AIRBAR PIN	1
9	983235	-	R5000 F/B ASH DUMP CAVITY	1

When ordering PLEASE QUOTE PART ID along with Finish Suffix (if applicable)

# DOOR ASSEMBLY



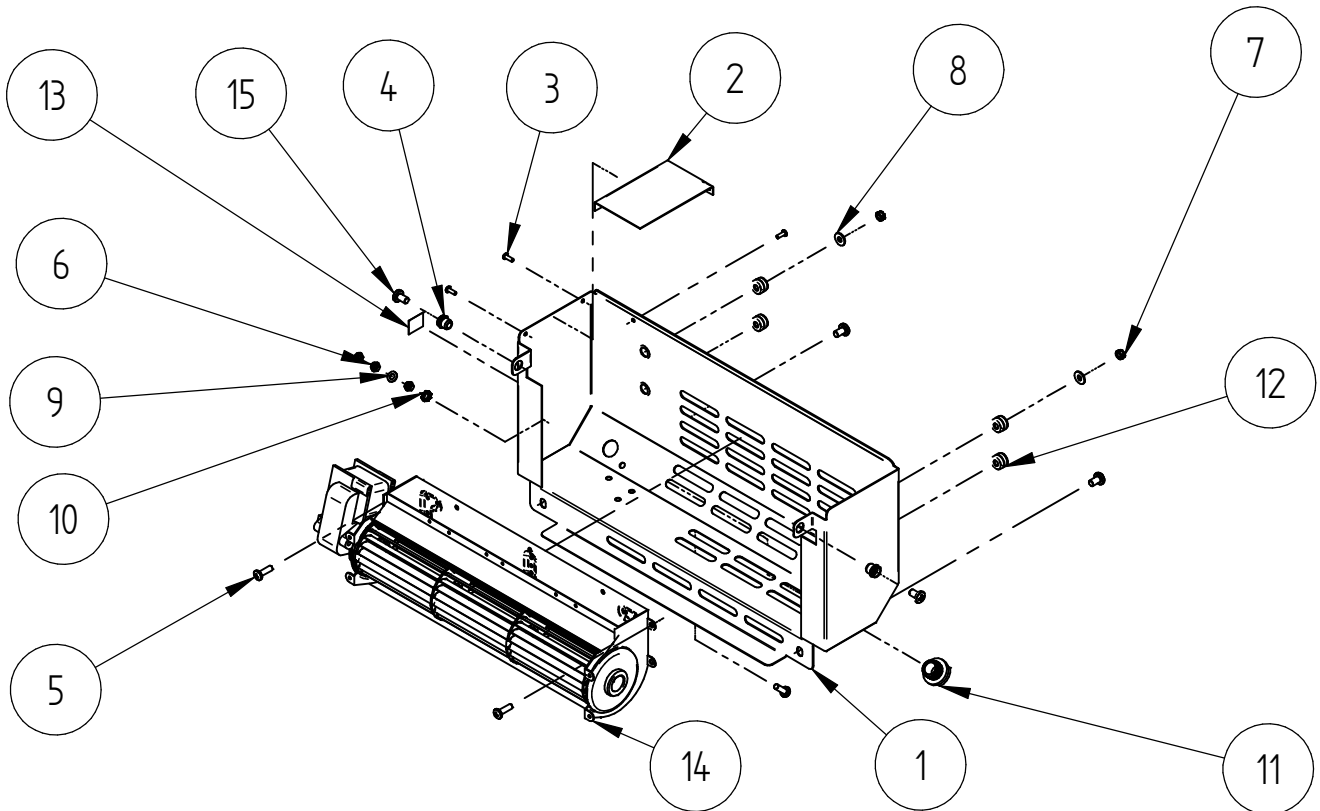
When ordering PLEASE QUOTE PART ID along with Finish Suffix (if applicable)



DOOR ASSEMBLY - 993790				
Item	Part ID	Model(s)	Description	Qty
		993930		
		993797V02		
1	MIC00034	-	MIC GLASS RETAINER	1
2	MWSAC030	V02	MWS DOOR FRAME COMPLETE SUB ASSEMBLY	1
3	MIC00133	-	MIC DOOR LATCH PLATE	1
4	MIC00373	-	DOOR SPINDLE	1
5	MIC00204	-	MIC GLASS	1
6	C13MMDR	-	DOOR ROPE	1
7	C25MMLT	-	LADDER TAPE 25x3x50m ROLL (MTR)	1
8	521627	-	SCREW; S/T 8GX3/8" MUSH FLANGE POZI BLK	2
9	522117	-	NUT; HEX STD M6 ZP	1
10	523018	-	WASHER; FLAT 5/16"X5/8" BLK	6
11*	MICAC204	-	DOOR GLASS KIT	1

\*Optional Sale Kit

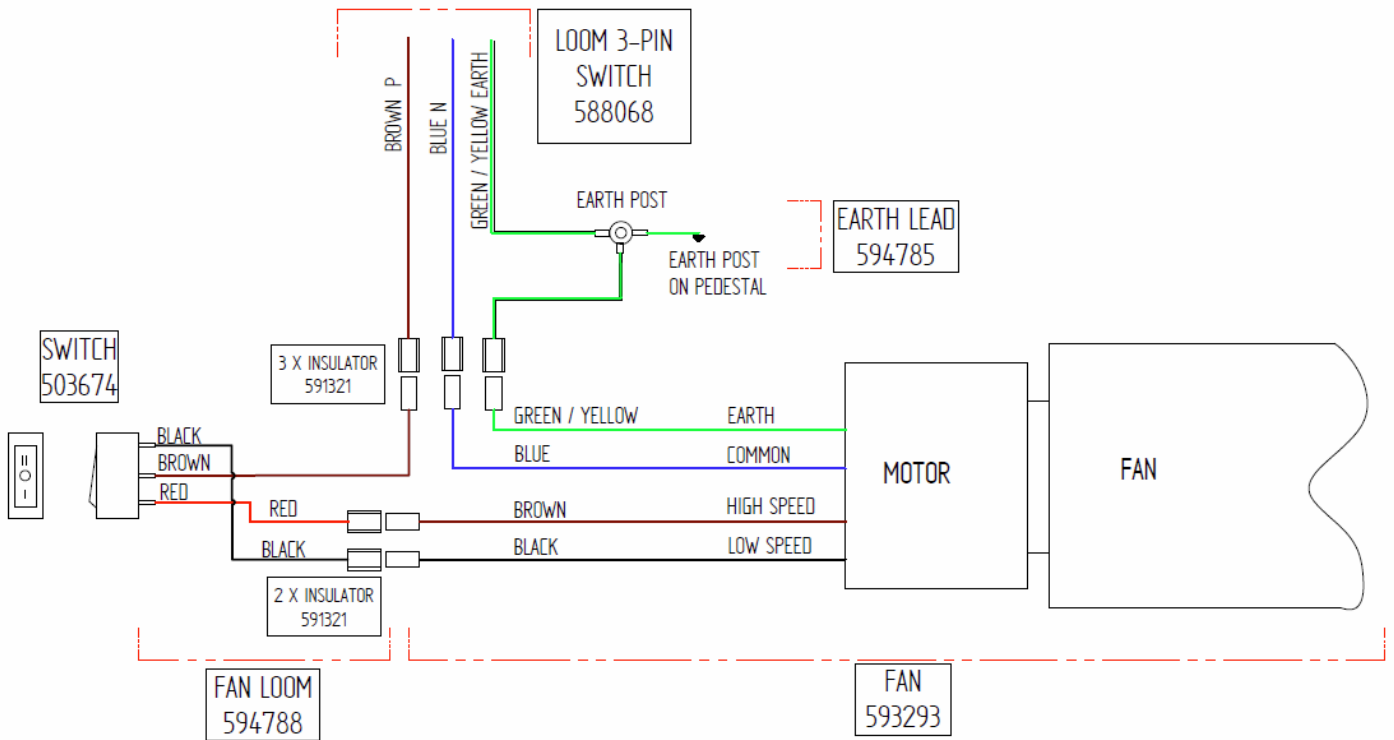
## FAN BOX ASSEMBLY



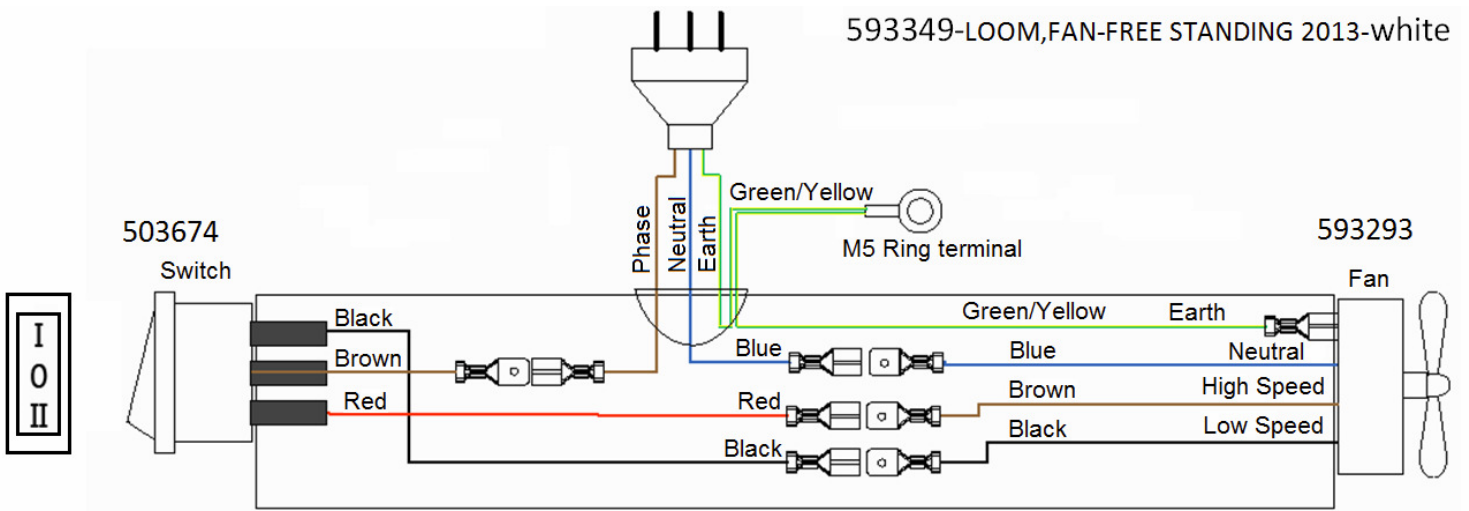
FAN BOX ASSEMBLY				
Item	Part ID	Model(s)	Description	Qty
		993927		
1	993761	P01	R1500 FAN BOX COVER AUS	1
2	994794	-	SHIELD FAN PANEL FERGAS F3000	1
3	524002	-	RIVET; 73 AS 4-3	3
4	522605	-	NUT; RIVNUT STD/FLANGE M6	2
5	521033	-	SCREW; M5X16 PAN POZI BLK	3
6	522106	-	NUT; HEX STD M5 ZP	2
7	522305	-	NUT; NYLOCK M5 ZP	3
8	523000	-	WASHER; FLAT 3/16"X1/2"X18G ZP	2
9	523028	-	WASHER; FLAT M5 BRS	1
10	523204	-	WASHER; STAR M5 EXT	1
11	529201	-	CLAMP; CABLE 16 LITTLE GRIPPER	1
12	529402	-	GROMMET; 14X6	4
13	585631	-	DECAL EARTH	1
14	593293	-	FAN-2 SP TANG W/F INB FERGAS 76118	1
15	521045	-	SCREW; M6X10 PAN POZI BLK	4

When ordering PLEASE QUOTE PART ID along with Finish Suffix (if applicable)

## FAN LOOM DIAGRAM



## FAN WIRING DIAGRAM W/F FREESTANDING 2011-2013 (AUSTRALIAN MODELS ONLY)



## FAN WIRING DIAGRAM W/F FREESTANDING 2013 ONWARDS

When ordering PLEASE QUOTE PART ID along with Finish Suffix (if applicable)

NOT ILLUSTRATED				
Item	Part ID	Model(s)	Description	Qty
		993930		
1	593286	-	OWNER MANUAL WOODFIRES	1
2	593287	-	INSTALL MANUAL WOODFIRES	1
3	593791	-	R1500 INSTALLATION DATA SHEET	1
4	593794	-	INSTRUCTION - BRICK LAYOUT	1

SURFACE FINISH CODES FOR PANELS						
VITREOUS ENAMEL		VHT PAINT(Very High Temp)			POWDER COAT	
E01	MATT BLACK	V02	P-000022	METALLIC BLACK	P02	MATT BLACK
E02	GLOSS BLACK	V03	P-000043	CHARCOAL	P03	CHARCOAL
E03	CHARCOAL	V04	P-000081	TITANIUM	P05	SATIN BLACK
		V05	P-000051	CHARCOAL (DAM MET BLK)	P09	METTALIC BLACK
		V06	P-000052	METALLIC BLACK ZINC		

LESS FREQUENTLY OR OLD SURFACE FINISH CODES FOR PANELS						
VITREOUS ENAMEL		VHT PAINT(Very High Temp)			POWDER COAT	
E04	JASMINE	V01		SATIN BLACK HIGH TEMP	P01	BLUE/BLACK
					P04	GLOSS CHARCOAL
					P07	FLAT BLACK

When ordering PLEASE QUOTE PART ID along with Finish Suffix (if applicable)